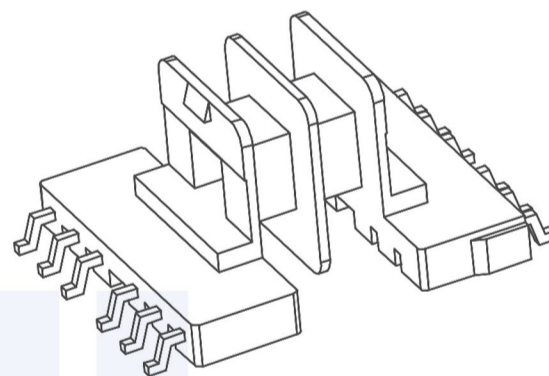
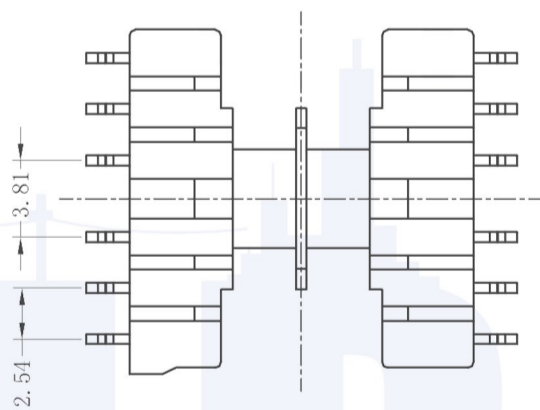
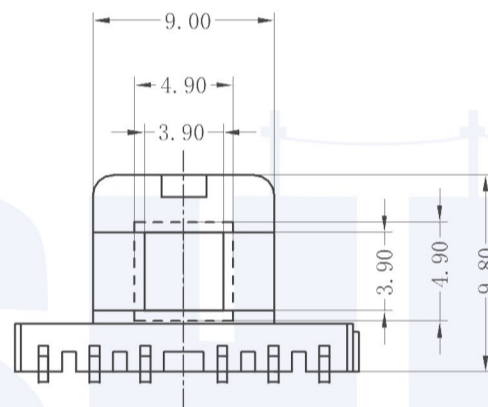
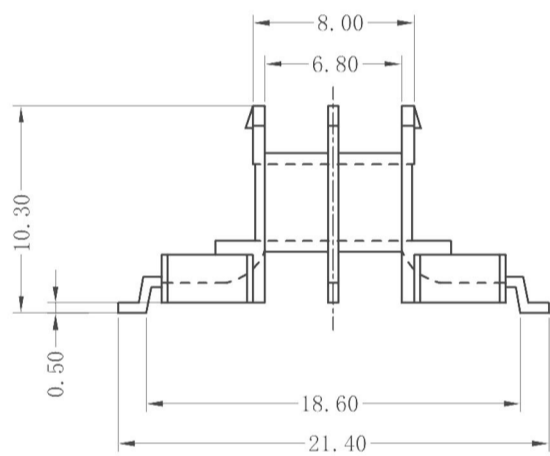
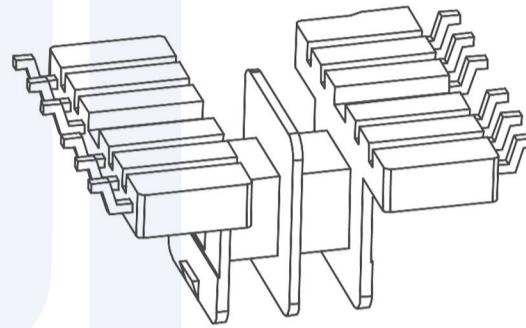
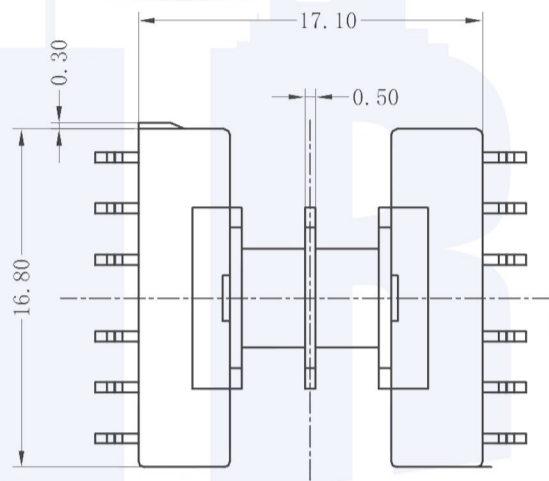


SHIRUI

P/N
SR-SMDEF1201




Hefei Shirui Electronic Technology Co.,Ltd

www.shiruitech.com

TEL:(0086)55165232650

sales@shiruitech.com

SR NO. SR-SMDEF1201	MATERIAL: PHENOLIC	UNIT: mm TOLERANCE	DRN.	WILL H
MODEL NAME: EF12.6-12P-1S H	UL REC: UL 94V-0	0 < L ≤ 4 ±0.10	CHD.	IRINA LEE
	ANGLE: ± ° 	4 < L ≤ 16 ±0.20	ISSD.	JAMES HU
	SCALE 1:1	16 < L ≤ 64 ±0.30		
		PIN PITCH ±0.05		